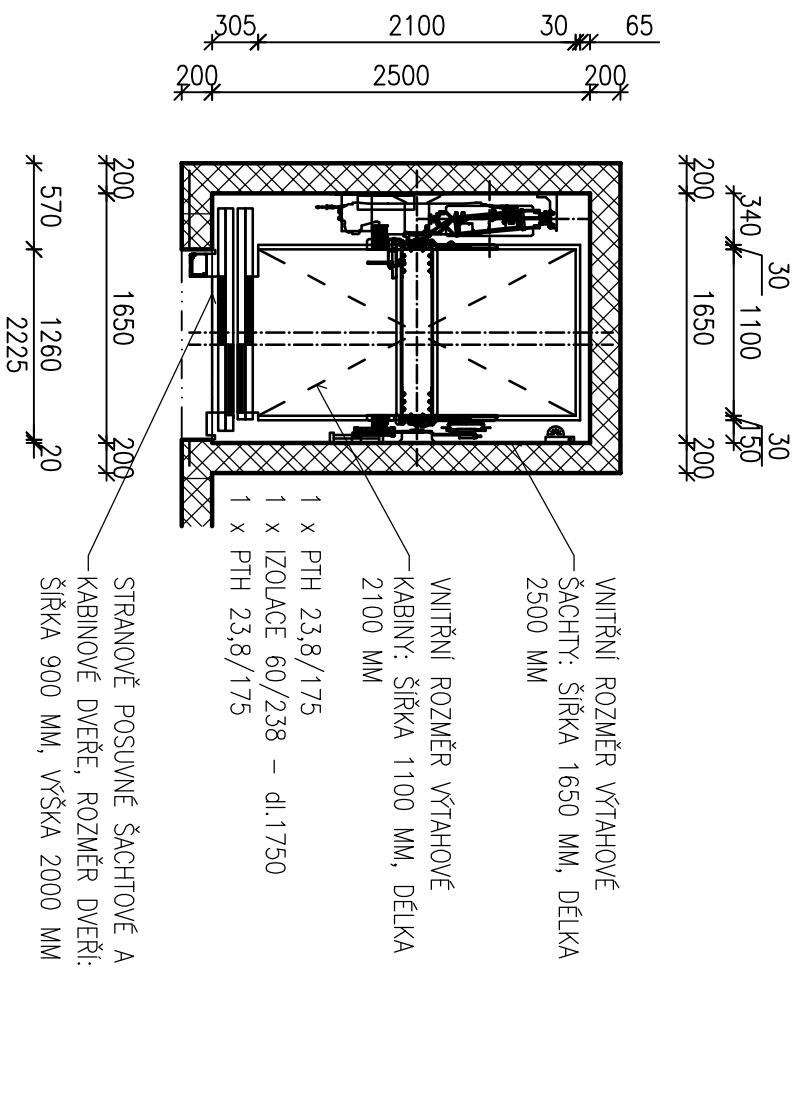
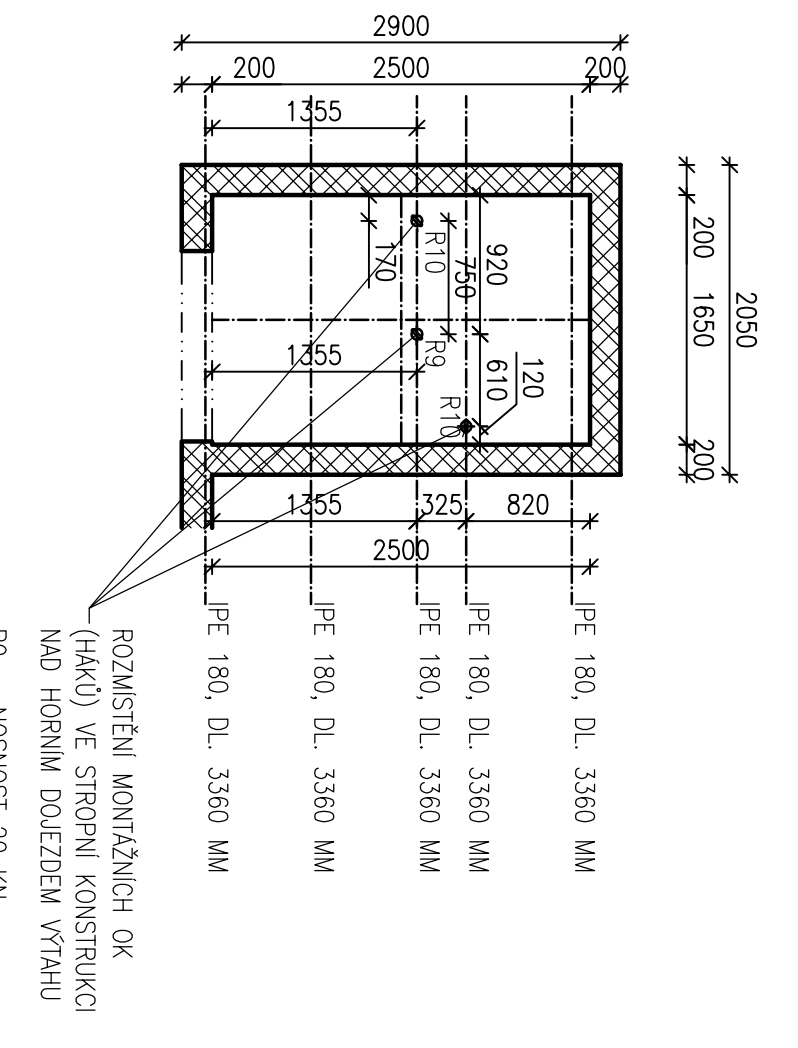


Table of material specifications and quantities, organized by room or component, including material names, quantities, and units.

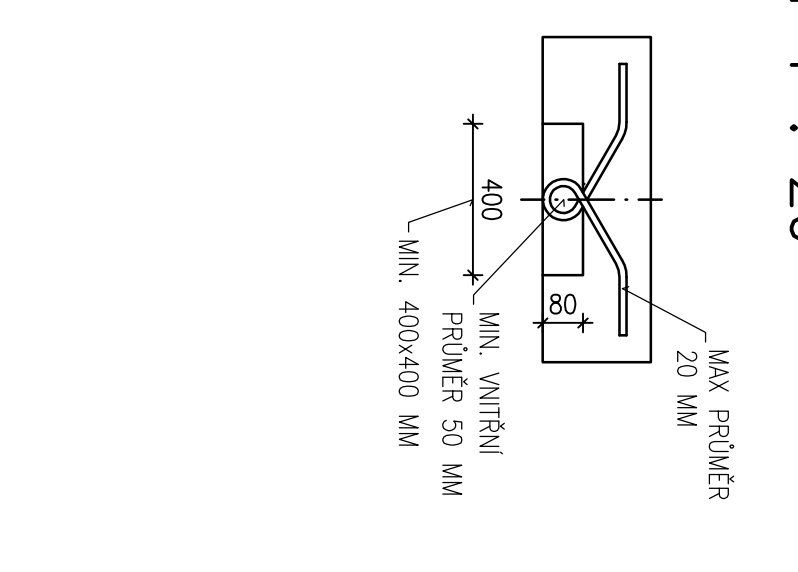
PŮDORYS VÝTAHOVÉ ŠAČHTY M 1 : 50



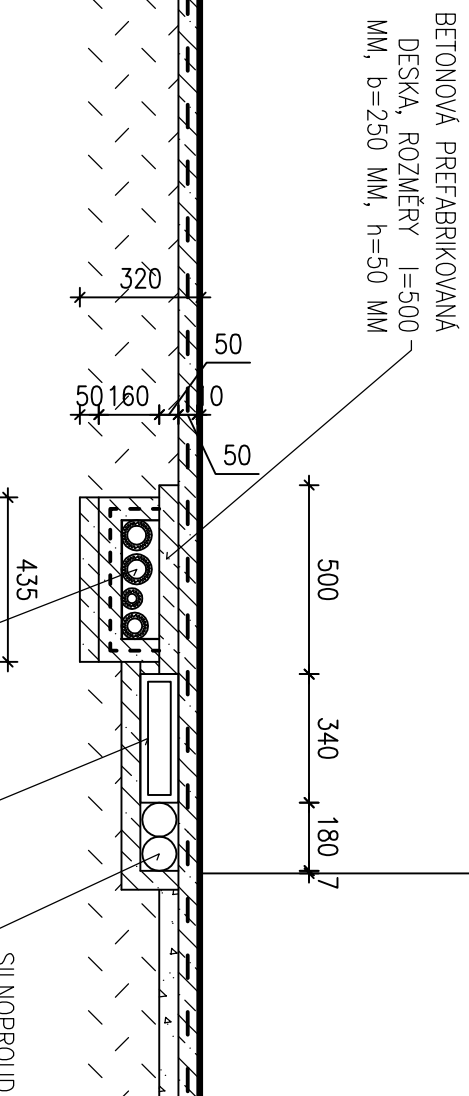
UMÍSTĚNÍ MONTÁŽNÍCH OK M 1 : 50



MONTÁŽNÍ OKO M 1 : 20



SCHEMATICKÝ ŘEZ ULOŽENÍM SÍTI M 1 : 20



LEGENDA MATERIÁLŮ

- Legend of materials and symbols used in the drawings, including symbols for concrete, steel, and insulation.

Notes and specifications for the construction, detailing material requirements and installation instructions.

Project information block containing company details (I.N.S.), project name (REZ E - E'), and contact information.